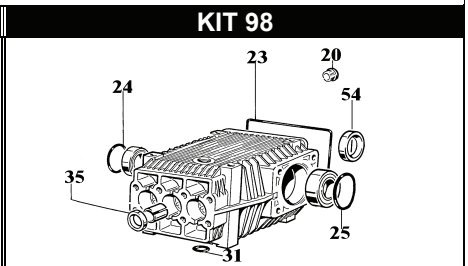
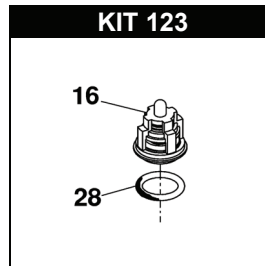
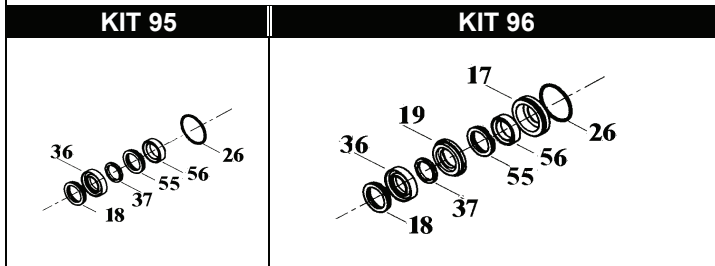
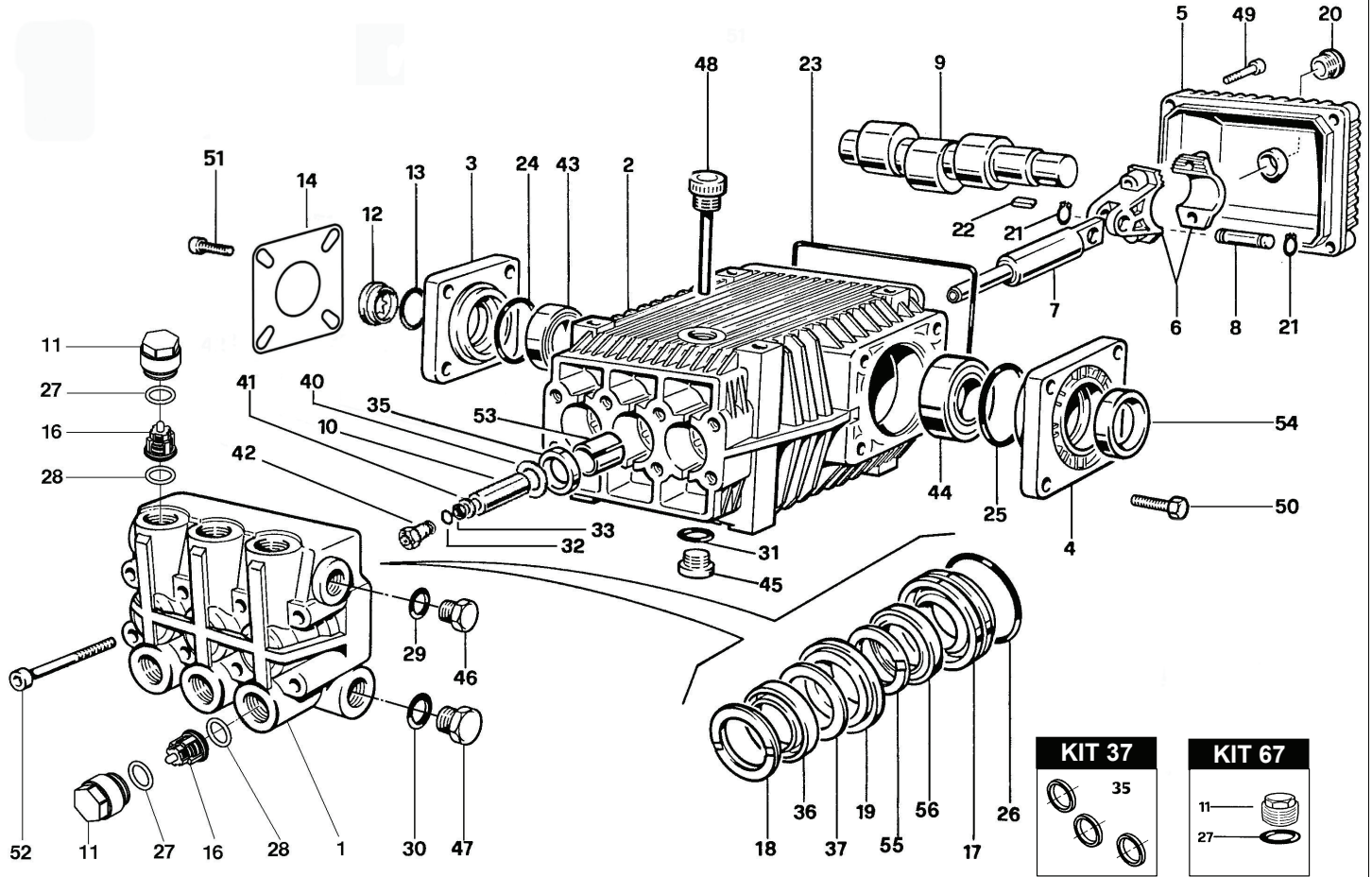


KTL 1535 - 1735 - 2035



POS.	CODICE PART NO RÉF.	DENOMINAZIONE - DESCRIPTION - DESCRIPTION	Q.TY
1	060142282	PUMP HEAD	1
2	060001092	PUMPS CRANKCASE	1
3	060260092	BEARING COVER DIA.72	1
4	060017092	BEARING COVER DIA.80 MM	1
5	060006092	CRANKCASE COVER	1
6	069800972	CONNECTING ROD	3
6	862796002	CONNECTING ROD BOLT	6
7	060065512	PLUNGER ROD	3
8	060007492	PISTON PIN DIA.15 MM	3
9	060163262	CRANKSHAFT KTL 1535	1
9/1	060164262	CRANKSHAFT KTL 1735	1
9/2	060165262	CRANKSHAFT KTL 2035	1
10	060055182	CERAMIC PISTON DIA.18 MM	3
11-kit 99	070040532	VALVE CAP	6
12	060019322	OIL SIGHT GLASS	1
13	803262002	O-RING	1
14	060123612		1
16-kit 123	069846973	VALVES ASSEMBLY	6
17-kit 96	060064532	BACK GLAND DIA.20 MM	3
18-kit 96-95	802061502	THRUST RING DIA.20	3
19-kit 96	060063532	FRONT GLAND	3
20-kit 98	853515502	OIL SIGHT GLASS	1
21	801099002	CIRCLIP DIA.15	6
22	806534002	TAB 8X7X35	1
23-kit 98	803210902	O-RING DIA.2,62X152	1
24-kit 98	803210552	O-RING DIA.2,62X67,95	1
25-kit 98	803210642	O-RING DIA.2,62X75,87	1
26-kit 96-95	803080202	O-RING DIA.1,78X34,65	3
27-kit 99	803182802	O-RING DIA.2,62X17,13	6
28-kit 123	803182802	O-RING DIA.2,62X17,13	6
29	824109002	COPPER GASKET DIA.17X22X1	1
30	824180002	GASKET DIA.27X36X1	1
31-kit 98	803204802	O-RING DIA.2,62X23,81	1
32	803055002	O-RING DIA.1,78X10,82	3

POS.	CODICE PART NO RÉF.	DENOMINAZIONE - DESCRIPTION - DESCRIPTION	Q.TY
33	803912002	ANTI-EXTRUSION RING	3
35-kit 37-98	802090002	OIL SEAL DIA.17	3
36-kit 96-95	802061602	"U" PACKING	3
37-kit 96-95	060085322	ANTIEXTRUSION RING	3
40	843826002	WASHER DIA.14X38X0,5	3
41	843655002	WASHER	3
42	060073512	PISTON BOLT	3
43	812848002	ROLLER BEARING DIA.35X72X17	1
44	812870002	ROLLER BEARING DIA.35X80X21	1
45	852687002	CAP G 3/4	1
46	852579002	PLUG G 3/8	1
46	852579532	PLUG G 3/8 BRASS (OPTIONAL)	1
47	852693002	CAP G3/4	1
47	852693532	CAP G3/4 BRASS (OPTIONAL)	1
48	060020322	OIL FILLER PLUG WITH DIP STICK	1
49	862216002	BOLT M6X25	4
50	863265002	BOLT M10X25	4
51	862682002	BOLT M 8X25	4
52	862985002	BOLT TCEI M8X70 UNI 5931	8
53	804300002	SELF-LUBRIFICATING BUSHING	3
54-kit 98	802143002	OIL SEAL	1
55-kit 96-95	050019322	THRUST RING DIA.20X30	3
56-kit 96-95	802061002	"V" PACKING DIA.18X28	3
REPAIR KIT		ITEM NO,s INCLUDED	PCS.
kit 37	069814973	SPARE PARTS KIT	3
kit 96	069834973	SPARE PARTS KIT	24
kit 95	069833973	SPARE PARTS KIT	18
kit 98	069842973	SPARE PARTS KIT	9
kit 67	049839973	SPARE PARTS KIT	12
kit 123	069867973	SPARE PARTS KIT	12
HOT WATER CONVERSION KIT (85°C-185°F)			
kit 199	069883973	H.W. PACKING SEALING KIT	21
kit 249	069956973	H.W. VALVE KIT	18